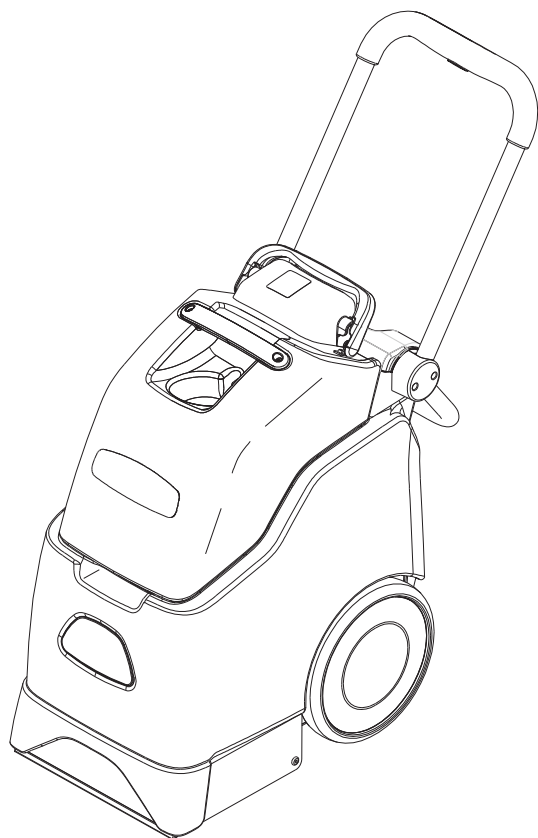


English	3
Français	13
Español	25



**Register and win!**  
[www.kärcher.com/register-and-win](http://www.kärcher.com/register-and-win)





## IMPORTANT SAFETY INSTRUCTIONS

### READ ALL INSTRUCTIONS BEFORE USING THIS APPLIANCE

#### ⚠ **WARNING**

To reduce the risk of fire, electric shock, or injury:

- DO NOT LEAVE appliance unattended when plugged in. Unplug from outlet when not in use and before servicing.

#### ⚠ **WARNING**

- TO REDUCE THE RISK OF ELECTRIC SHOCK-USE INDOORS ONLY

- Do not allow to be used as a toy. Close attention is necessary when used by or near children.
- Use only as described in this manual. Use only manufacturer's recommended attachments.
- Do not use with damaged cord or plug. If the unit is not working as it should, has been dropped, damaged, left outdoors, or dropped into water, return it to a service center.
- Do not pull or carry by the cord, do not use cord as a handle, do not close a door on the cord, or pull cord around sharp edges or corners. Do not run appliance over cord. Keep cord away from heated surfaces.
- Do not unplug by pulling on cord. To unplug, grasp the plug, not the cord.
- Do not handle plug or appliance with wet hands.
- Do not put any object into openings. Do not use with any openings blocked; keep free of dust, lint, hair

and anything that may reduce air flow.

- Keep hair, loose clothing, fingers and all parts of body away from openings and moving parts.
- Turn off all controls before unplugging.
- Use extra care when cleaning on stairs.
- Do not use to pick up flammable or combustible liquids, such as gasoline, or use in areas where they may be present.
- Connect to a properly grounded outlet only. See Grounding Instructions.
- Always disconnect cord from electrical outlet before servicing appliance.
- Never sweep off explosive liquids, combustible gases or undiluted acids and solvents. This includes petrol, paint thinner or heating oil which can generate explosive fumes or mixtures upon contact with the air. Acetone, undiluted acids and solvents must also be avoided as they can harm the materials on the machine.
- Do not vacuum up burning or smouldering objects!

#### GROUNDING INSTRUCTIONS

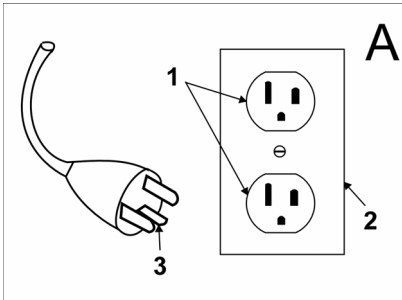
This product must be grounded. If it should malfunction or breakdown, grounding provides a path of least resistance for electric current to reduce the risk of electric shock. This product is equipped with a cord having an equipment-grounding conductor and a grounding plug. The plug must be plugged into an appropriate outlet that is properly installed and grounded in accordance with all local codes and ordinances.

## **⚠ DANGER**

*Improper connection of the equipment-grounding conductor can result in a risk of electrocution. Check with a qualified electrician or service personnel if you are in doubt as to whether the outlet is properly grounded. Do not modify the plug provided with the product - if it will not fit the outlet, have a proper outlet installed by a qualified electrician. Do not use any type of adapter with this product.*

*This appliance is for use on a nominal 120-volt circuit and has a grounding attachment plug that looks like the plug illustrated in sketchpicture A. Make sure that the appliance is connected to an outlet having the same configuration as the plug. No adaptor should be used with this appliance.*

### **CONNECT TO A PROPERLY GROUNDED OUTLET ONLY**



- 1 Grounded outlet
- 2 Grounded outlet box
- 3 Grounded pin

## **OPERATING SAFETY RULES AND PRACTICES**

### **Owner/User Responsibility**

The owner and/or user must have an understanding of the manufacturer's operating instructions and warnings before using this pressure washer. Warning information should be emphasized and understood.

If the operator is not fluent in English, the manufacturer's instructions and warnings shall be read to and discussed with the operator in the operator's native language by the purchaser/owner, making sure that the operator comprehends its contents.

Owner and/or user must study and maintain for future reference the manufacturers' instructions.

### **General**

Before starting to operate the unit be in operating position.

Do not start or operate the unit, any of its functions or attachments, from any place other than from the designated operators position.

Before leaving the operator's position:

- A bring the unit to a complete stop;
- B if the unit must be on an incline, block the wheels.

Maintain a safe distance from the edge of ramps, platforms, and other similar working surfaces.

Do not add to, or modify the unit.

Do not block access to fire aisles, stairways or fire equipment.

### **Travelling**

Yield the right of way to pedestrians and emergency vehicles such as ambulances and fire trucks.

Cross railroad tracks at an angle wherever possible. Do not park closer than

6 ft (1800 mm) to the nearest rail of a railroad track.

Keep a clear view of the path of travel and observe for other traffic, personnel, and safe clearances.

Under all travel conditions, operate the unit at a speed that will permit it to be brought to a stop in a safe manner.

Do not indulge in stunt driving or horse-play.

Slow down for wet and slippery floors.

Before driving over a dockboard or bridge plate, be sure that it is properly secured. Drive carefully and slowly across the dockboard or bridge plate, and never exceed its rated capacity.

When negotiating turns, reduce speed to a safe level consistent with the operating environment. Make the turns smoothly.

### Operator care of the unit

If the unit is found to be in need of repair or in any way unsafe, or contributes to an unsafe condition, the matter shall be reported immediately to the user's designated authority, and the unit shall not be operated until it has been restored to safe operating condition.

If during operation the unit becomes unsafe in any way, the matter shall be reported immediately to the user's designated authority, and the unit shall not be operated until it has been restored to safe operating condition.

Do not make repairs or adjustments unless specifically authorized to do so.

### MAINTENANCE AND REBUILD PRACTICES

Operation of the unit may be hazardous if maintenance is neglected or repairs, rebuilds, or adjustments are not performed in accordance with the man-

ufacturer's design criteria. Therefore, maintenance facilities (on or off premises), trained personnel, and detailed procedures shall be provided.

Maintenance and inspection of the unit shall be performed in conformance with the following practices:

- A a schedules planned maintenance, lubrication, and inspection system shall be followed; consult the manufacturer's recommendations.
- B Only trained and authorized persons shall be permitted to operate a powered floor scrubber. Operators of powered floor scrubbers shall be qualified as to visual, auditory, physical, and mental ability to operate the equipment safely.

Avoid fire hazards and have fire protection equipment present in the work area. Do not use open pans of fuel or flammable cleaning fluids for cleaning parts.

### FIRE SAFETY STANDARD

Any unit not in safe operating condition shall be removed from service.

Repairs shall not be made in Class I, Class II, and Class III locations.

**Fire Prevention.** The unit shall be kept in a clean condition and reasonably free of lint, excess oil, and grease.

Noncombustible agents are preferred for cleaning the unit. Flammable liquids [those having flash points at or above 100°F (37,8°C)] are not allowed. Precautions regarding toxicity, ventilation, and fire hazard shall be appropriate for the agent or solvent used.

**Nameplate Visibility.** The unit type designations as shown on the nameplate and the type markers shall not be covered over with paint so that their identification information is obscured.



Please read and comply with these original instructions

prior to the initial operation of your appliance and store them for later use or subsequent owners.

## Contents

Safety instructions . . . . .	EN 4
Proper use . . . . .	EN 4
Function . . . . .	EN 4
Control elements . . . . .	EN 5
Start up. . . . .	EN 5
Operation . . . . .	EN 6
Shutting down . . . . .	EN 7
Transport . . . . .	EN 7
Storage. . . . .	EN 7
Care and maintenance. . . . .	EN 7
Troubleshooting . . . . .	EN 9
Technical specifications . . . . .	EN 10
Spare parts. . . . .	EN 10
Warranty. . . . .	EN 10

## Environmental protection



The packaging material can be recycled. Please do not place the packaging into the ordinary refuse for disposal, but arrange for the proper recycling.



Old appliances contain valuable materials that can be recycled.

Please arrange for the proper recycling of old appliances. Please dispose your old appliances using appropriate collection systems.

### Notes about the ingredients (REACH)

You will find current information about the ingredients at:

[www.kaercher.com/REACH](http://www.kaercher.com/REACH)

## Safety instructions

Before initial start-up it is definitely necessary to read the safety information no. 5.956-251.0!

### Symbols in the operating instructions

#### **DANGER**

*Immediate danger that can cause severe injury or even death.*

#### **WARNING**

*Possible hazardous situation that could lead to severe injury or even death.*

#### **CAUTION**

*Possible hazardous situation that could lead to mild injury to persons or damage to property.*

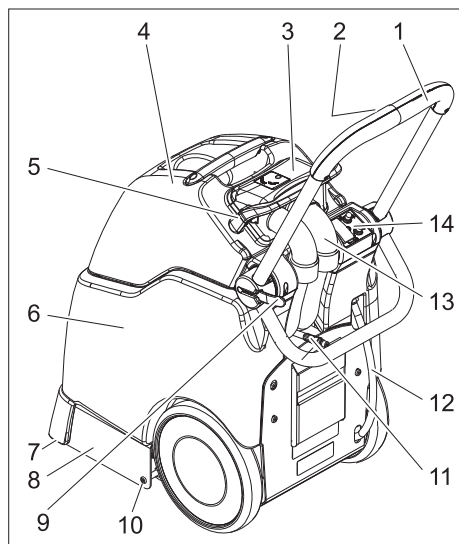
## Proper use

This appliance is intended for commercial use as a wet cleaning appliance for carpets as depicted in these operating instructions as well as in the descriptions and safety notes in the enclosed brochure "Safety indications for brush cleaning appliances and spray extraction appliances".

## Function

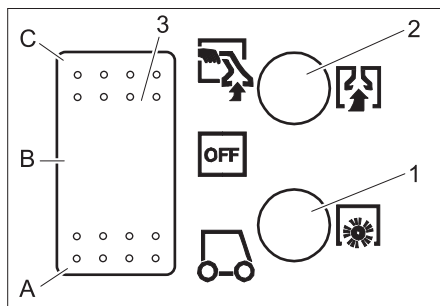
The appliance sprays cleaning solution from the fresh water tank onto the carpet to be cleaned, works the detergent into the carpet with a brush roller and vacuums the dirt and used detergent into the waste water reservoir. If required, an accessorz (such as a hand nozzle) can be attached..

## Control elements



- 1 Push handle
- 2 Key detergent solution
- 3 Dome
- 4 waste water tank
- 5 Dome lock.
- 6 Fresh water tank
- 7 Vacuum bar
- 8 Cleaning head
- 9 Lock of pushing handle
- 10 Cleaning head screw
- 11 Detergent hose coupling
- 12 Drainage hose for fresh water
- 13 Suction hose
- 14 Operating field

## Operating field



- 1 Fuse for brush drive
- 2 Fuse for suction turbine
- 3 Power switch
- A Normal operation
- B OFF - Appliance is switched off.
- C Operation with hand nozzle

## Start up

- Swivel the domelock to the front.
- Lift up the waste water tank and put it aside.
- Fill the fresh water tank with hot water (max. 60°C, capacity 15 liters).
- Pour in detergent.

Carpet cleaning	RM 764 liquid
Defoaming	RM 761

If you require further information please request the product information sheet and the DIN safety data sheet for the respective cleaning agent.

### ⚠ **WARNING**

*Health risk, risk of damage. Observe all indications on the detergent used. For considerate treatment of the environment use detergent economically.*

- Insert the waste water tank back onto the appliance.
- Replace the lid of the waste water tank and align it.
- Swivel the dome lock to the rear.

## Operation

- Vacuum loose dirt with a vacuum cleaner prior to cleaning.
- Swivel the pushing handle lock to the outside, set the desired pushing handle height and close the lock.
- Insert the mains plug into the socket.

### ⚠ CAUTION

*Risk of damage. Check the object to be cleaned prior to using the appliance in an inconspicuous place for colour fastness and water resistance.*

### ⚠ DANGER

*Risk of electric shock.*

*Do not let the mains cable come in contact with the rotating brushes or rotating pads.*

- Set the appliance switch to normal operation - start the suction turbine and the brush drive.
- Use the detergent solution key on the push bow to spray on detergent solution.
- Run across the surface to be cleaned in overlapping paths. Pull the appliance backwards during this procedure (do not push).

## Emptying the waste Water tank

- If the waste water tank is filled to 3/4 of its capacity, switch the appliance switch to "OFF".
- Swivel the domelock to the front.
- Lift the waste water tank off the appliance and empty it.

### ⚠ WARNING

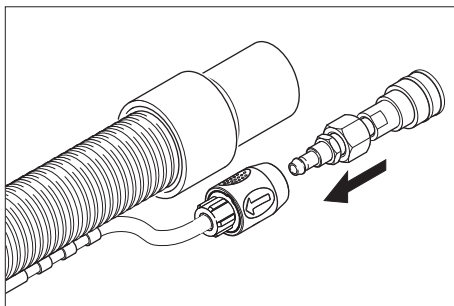
*Please observe the local provisions regarding the wastewater treatment.*

#### **Note:**

*If the waste water tank is full, dirty water will flow back onto the carpet, as soon as the appliance is switched off.*

## Operation with accessory tools

Only use accessories and spare parts which have been approved by the manufacturer. The exclusive use of original accessories and original spare parts ensures that the appliance can be operated safely and trouble free.



- Connect the provided adapter to the detergent hose of the accessory tools.
- Pull the suction hose out of the dome.
- Insert the suction hose of the accessory tool into the dome instead of the suction hose.
- Connect the coupling of the detergent hose on the appliance to the detergent hose of the accessory tool.
- Set the appliance switch to operation with manual nozzle - the suction turbine will start.
- Use the lever on the accessory tool to spray on detergent solution.

#### **Note:**

*When unplugging the accessory tools, the adapter must be removed from the appliance, so that the water output on the appliance is closed.*

*Recommendation: Leave the adapter on the hose of the accessory tool.*



## Cleaning tips

- Highly soiled spots should be pre-soaked and the detergent solution should soak 5 to 10 minutes.
- Always work from the light to the shade (from the window to the door).
- Always work from the cleaned to the uncleaned surface.
- The more sensitive the surface (oriental rugs, berbers, upholstery material) the lower the cleaning solution concentration should be.
- Rugs with jute backing can shrink if too much water is used and can bleed colours.
- Brush high-fiber rugs in the direction of the weave after cleaning (using a fiber brush or a scrubber).
- Do not step on cleaned surfaces until they have dried and do not place furniture on them to avoid pressure spots or rust stains.
- When cleaning previously shampooed carpets, foam will be generated in the dirt water reservoir. In such a case add Foam ex RM 761 to the dirt water reservoir.

## Shutting down

- ➔ Set the appliance switch to "OFF".
- ➔ Empty the dirt water reservoir.
- ➔ Pull the drain hose for the fresh water off the hose nipple and drain the detergent solution.

## Cleaning the device

- ➔ Fill the fresh water tank with approx. 2 liters of hot water (max. 60°C) and flush the spray system by pressing the detergent solution key.
- ➔ Disconnect the mains plug from the socket.

- ➔ Pull the drain hose for the fresh water off the hose nipple and drain the detergent solution.
- ➔ Clean the sieves on the fresh water tank and inside the dome.
- ➔ Rinse the waste water tank with clear water.
- ➔ Tilt the appliance backwards and clean the cleaning head and the vacuum bar..

## Frost protection

In case of danger of frost:

- ➔ Empty the fresh and dirt water reservoirs.
- ➔ Store the appliance in a frost-protected room.

## Transport

### ⚠ CAUTION

*Risk of injury and damage! Observe the weight of the appliance when you transport it.*

- ➔ Use the pushing handle to push the appliance.
- ➔ When transporting in vehicles, secure the appliance according to the guidelines from slipping and tipping over.

## Storage

### ⚠ CAUTION

*Risk of injury and damage! Note the weight of the appliance in case of storage.*

This appliance must only be stored in interior rooms.

## Care and maintenance

### ⚠ DANGER

*Danger of injury by electric shock. First pull out the plug from the mains before carrying out any tasks on the machine.*

## Maintenance intervals

### Daily before use

- Check high power cable, extension cables and hoses for damage every time before use.
- Check spray pattern of the nozzle.

### **⚠ CAUTION**

*Risk of damage. Never use a wire or a needle to clear plugged nozzles, but rinse them with hot water (see "Troubleshooting").*

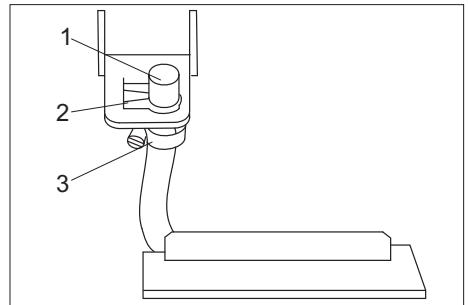
### Every 25 operating hours

- Check hoses and seals to see if there are damages. Have defective parts replaced by Customer Service.
- Check the brushes for wear, replace if required.  
The brushes are considered worn, if the bristles have the same length as the yellow indicator bristles.

## Maintenance Works

### Replace the nozzle

- Empty the fresh water tank and waste water tank.
- Tilt the appliance backward and store it on the pushing handle.
- Unscrew and remove the left and right screws on the cleaning head.
- Remove the cleaning head.



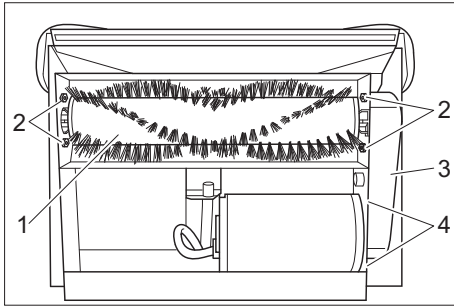
- 1 Nozzle
  - 2 Fastening clip
  - 3 Hose clip
- Pull the fastener clip off to the side.
  - Pull the nozzle backwards out of the support plate.
  - Open the hose clip and pull the nozzle off the hose.
  - Insert the new nozzle into the hose.
  - Assemble it back in the reverse sequence.

### **Note:**

*When inserting the nozzle into the support plate, watch for the correct alignment of the nozzle.*

### Exchanging the brush

- Empty the fresh water tank and waste water tank.
- Tilt the appliance backward and store it on the pushing handle.
- Unscrew and remove the left and right screws on the cleaning head.
- Remove the cleaning head.



- 1 Brush roller
- 2 Brush storage screws
- 3 Toothed belt cover
- 4 Motor attachment nuts

- Loosen the screw on the toothed belt cover screw and remove the cover.
- Unscrew the nuts on the motor attachment and slide the motor to the brush.
- Remove the toothed belt.
- Loosen the threaded pin of the toothed gear pulley on the brush and remove the toothed gear belt.
- Unscrew the screws of the brush bearings and pull the bearings from the brush shaft.
- Lift the drive end of the brush roller out of the housing and pull the opposite side out of the bearing.
- Install the new brush in reverse order.

## Troubleshooting

### **⚠ DANGER**

*Danger of injury by electric shock.*

*First pull out the plug from the mains before carrying out any tasks on the machine.*

*Get the electrical components checked and repaired only by authorised customer service persons.*

*Contact an authorised customer service person in case of problems not mentioned in this chapter or if you are in doubt or when you have been explicitly asked to do so.*

### Appliance is not working

- Plug in the mains plug.
- Check facility fuse.

### Suction turbine does not run

- Reset the suction turbine fuse on the control panel.

### Insufficient vacuum performance

- Clean the vacuum bar.
- Check, clean or replace the seal on the dome.
- Empty the waste water tank.
- Insert the suction hose properly on the dome.
- Check the suction hose for damages.

### No water exiting from nozzle

- Set the appliance switch to normal operation.
- Fill the fresh water tank with hot water (max. 60°C) and rinse the nozzle. Replace the nozzle as applicable (see "Maintenance task/replace nozzle").
- Fill up fresh water reservoir.
- Clean the sieve in the fresh water reservoir.

### Brush does not turn

- Set the appliance switch to normal operation.
- Reset the brush drive fuse on the control panel.
- Check the drive belt, replace if required.

## Carpet gets too wet

- Replace the worn nozzle with a new one (see "Maintenance task/replace nozzle").

## Technical specifications

<b>Power</b>		
Nominal voltage	V/A/ Hz	115/ 15/~60
Type of protection		IPX4
Average power consumption	W	1245
Suction engine output	W	1119
Brush engine output	W	145
<b>Cleaning brushes</b>		
Working width	in (mm)	10.2 (260)
Brush diameter	in (mm)	2.6 (65)
Brush speed	1/min	1160
Detergent pump pressure	PSI (MPa)	26.1 (0.18)
Detergent pump flow rate	GPM (l/min)	0.4 (1.5)
Max. water temperature	°F	60
<b>Vacuuming</b>		
Cleaning power, air quantity	gpm (l/s)	12.5 (47.2)
Cleaning power, negative pressure	psi (kPa)	4.3 (29.9)
<b>Dimensions and weights</b>		
Theoretical surface cleaning performance	ft <sup>2</sup> /h (m <sup>2</sup> /h)	1076 (100)
Fresh/waste water tank volume	gal (l)	4/4.5 (15/17)

Length	in (mm)	36.2 (920)
Width	in (mm)	14.2 (360)
Height	in (mm)	29,5 (750)
Weight (without tank contents)	lbs (kg)	79.4 (36)
<b>Noise emission</b>		
Sound pressure level (EN 60704-1)	dB(A)	77
<b>Machine vibrations</b>		
Vibration total value (ISO 5349)	m/s <sup>2</sup>	1,7

## Spare parts

- Only use accessories and spare parts which have been approved by the manufacturer. The exclusive use of original accessories and original spare parts ensures that the appliance can be operated safely and trouble free.
- At the end of the operating instructions you will find a selected list of spare parts that are often required.
- For additional information about spare parts, please go to the Service section at [www.kaercher.com](http://www.kaercher.com).

## Warranty

The warranty terms published by the relevant sales company are applicable in each country. We will repair potential failures of your appliance within the warranty period free of charge, provided that such failure is caused by faulty material or defects in manufacturing. In the event of a warranty claim please contact your dealer or the nearest authorized Customer Service centre. Please submit the proof of purchase.

## CONSIGNES DE SÉCURITÉ IMPORTANTES

### READ ALL INSTRUCTIONS BEFORE USING THIS APPLIANCE

#### ⚠ **AVERTISSEMENT**

Pour réduire les risques d'incendie, de choc électrique ou de blessure:

- NE PAS LAISSER l'appareil sans surveillance lorsqu'il est branché. Débrancher l'appareil lorsqu'il n'est pas utilisé et avant de procéder à l'entretien.

#### ⚠ **AVERTISSEMENT**

- UTILISER L'APPAREIL EXCLUSIVEMENT À L'INTÉRIEUR POUR RÉDUIRE LES RISQUES D'ÉLECTROCUTION
- Ne pas permettre une utilisation comme jouet. Ne jamais le laisser sans surveillance attentive lorsqu'il est utilisé par ou à proximité d'enfants.
- Respecter impérativement les consignes d'utilisation de ce manuel. Utiliser uniquement les accessoires recommandés par le fabricant.
- Ne pas mettre l'appareil en service en cas d'endommagement du cordon ou de la prise. Si l'appareil ne fonctionne pas correctement, s'il est tombé, s'il a été endommagé, s'il est resté à l'extérieur ou est tombé dans l'eau, le retourner à un centre de service.
- Ne pas tirer ou transporter l'appareil par le cordon électrique ou se servir de ce dernier comme d'une poignée. Veiller à ne pas coincer le cordon dans une porte et éviter de le tirer sur des bords ou des coins

tranchants. Ne pas laisser l'appareil rouler sur le cordon. Tenir le cordon à l'écart des surfaces chaudes.

- Ne pas tirer sur le cordon électrique pour débrancher l'appareil. Tirer au niveau de la fiche pour déconnecter l'appareil du secteur.
- Ne pas manipuler l'appareil ou la fiche électrique avec les mains mouillées.
- Ne rien introduire dans les orifices. Ne pas utiliser l'appareil si l'un des orifices est obstrué. Protéger les orifices de la poussière, des peluches, des cheveux et autres matières susceptibles de réduire le débit d'air.
- Veiller à ne pas approcher les cheveux, vêtements larges, doigts ou toute autre partie du corps des orifices et composants mobiles de l'appareil.
- Désactiver toutes les commandes avant de débrancher l'appareil.
- Faire particulièrement attention lors du nettoyage d'escaliers.
- Ne pas aspirer de liquides inflammables ou combustibles, tels que de l'essence avec l'appareil. Ne pas utiliser ce dernier dans des zones susceptibles de contenir de tels produits.
- Brancher uniquement sur une prise correctement reliée à la terre. Voir les instructions de mise à terre.
- Toujours déconnecter l'appareil du secteur, avant de procéder à de quelconques opérations d'entretien.
- Ne jamais balayer de liquides explosifs, de gaz inflammables, ni d'acides ou de solvants non dilués ! Il s'agit notamment de substances telles que l'essence, les diluants pour peintures, ou le fuel, qui, en

tourbillonnant avec l'air, risqueraient de produire des vapeurs ou des mélanges, ou de substances telles que l'acétone, les acides ou les solvants non dilués, qui pourraient altérer les matériaux constitutifs de l'appareil.

- Ne pas aspirer d'objets enflammés ou incandescents !

### Instructions de mise à terre

Ce produit doit être mis à la terre. En cas de mauvais fonctionnement ou de panne, la mise à la terre établit un chemin de moindre résistance pour le courant électrique afin de réduire le risque de décharge électrique. Ce produit est équipé d'un cordon doté d'un conducteur de mise à la terre de l'équipement et d'une prise de mise à la terre. La prise doit être branchée dans une prise appropriée qui est correctement installée et mise à la terre en conformité avec les codes et ordonnances locaux.

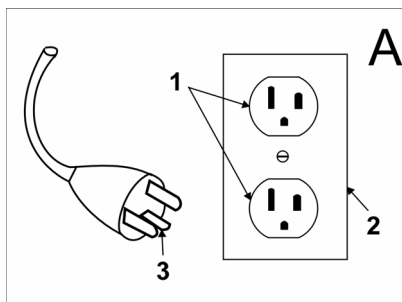
#### **⚠ DANGER**

*Un conducteur de mise à la terre d'équipement incorrectement branché peut entraîner un risque d'électrocution. Vérifier avec un électricien ou un technicien d'entretien qualifié en cas de doute sur la mise à terre correcte de la prise. Ne pas modifier la fiche fournie avec le produit - si elle ne peut pas être branchée, faire installer une prise appropriée par un électricien qualifié. N'utiliser aucun type d'adaptateur avec ce produit.*

*Cet appareil a été conçu pour fonctionner à une tension nominale de 120 volts ; sa fiche de mise à la terre est similaire à celle illustrée à la figure A. S'assurer que la prise de courant utilisée est compatible avec la fiche sec-*

*teur. Ne pas utiliser d'adaptateur pour brancher cet appareil.*

### BRANCHER UNIQUEMENT SUR UNE PRISE CORRECTEMENT RELIÉE A LA TERRE



- 1 Prise reliée à la terre
- 2 Socle de prise de courant
- 3 Fiche de mise à terre

### REGLES DE SECURITE ET PRATIQUES RELATIVES A L'UTILISATION

#### Responsabilité du propriétaire/de l'utilisateur

Avant d'utiliser ce nettoyeur pression, le propriétaire et/ou l'utilisateur doit impérativement avoir pris connaissance des consignes d'utilisation et mises en garde du fabricant.

Il est nécessaire d'insister sur les avertissements et de les comprendre.

Si l'utilisateur ne parle pas couramment l'anglais, l'acheteur/le propriétaire doit lire les consignes et mises en garde du fabricant avec l'utilisateur dans la langue maternelle de ce dernier et s'assurer qu'il en comprend bien le contenu.

Le propriétaire et/ou l'utilisateur doit se familiariser avec les consignes du fabricant et les conserver afin de pouvoir s'y référer ultérieurement.

## Généralités

Avant de commencer à faire fonctionner l'unité, soyez dans une position d'opération.

Ne pas démarrer ou utiliser l'appareil, ni aucune de ses fonctions ou accessoires, à partir d'un autre endroit que celui réservé à l'utilisateur.

Avant de quitter le poste de l'utilisateur :

- A arrêter l'appareil ;
- B si l'appareil doit stationner sur une pente, caler les roues.

Conserver une distance de sécurité avec les bords des rampes, des plates-formes et de toutes les autres surfaces de travail du même type.

Ne pas ajouter d'accessoires à l'appareil ni le modifier de quelque manière que ce soit.

Ne pas stationner à un endroit où l'appareil risque d'entraver les issues de secours, les cages d'escaliers ou les équipements de lutte contre l'incendie.

## Conduite

Céder la priorité aux piétons ainsi qu'aux véhicules d'urgence comme les ambulances et les camions de pompiers.

Traverser les voies ferrées à angle droit lorsque c'est possible. Ne pas garer l'appareil à moins de 1,8 m de la voie ferrée ou du rail le plus proche.

Veiller à conserver une vue bien dégagée du trajet à emprunter et être attentif à la circulation des autres véhicules, aux déplacements des membres du personnel, ainsi qu'aux espaces de dégagement.

Quelles que soient les conditions de circulation, conserver une vitesse permettant d'arrêter l'appareil en toute sécurité.

Ne jamais adopter de conduite dangereuse (cascades, acrobaties etc.) Ralentir sur les sols mouillés et glissants.

Avant de déplacer l'appareil sur un pont de chargement ou un pont de liaison, s'assurer que celui-ci est correctement sécurisé. Avancer prudemment et lentement sur le pont de chargement ou pont de liaison. Ne jamais dépasser la charge maximale autorisée.

Dans les virages, ralentir et adopter une vitesse de sécurité adaptée à l'environnement d'utilisation. Les virages doivent être abordés sans à-coups.

## Entretien de l'appareil par l'utilisateur

Si le véhicule a besoin d'être réparé ou présente un risque quelconque, l'utilisateur doit le signaler immédiatement à son responsable et ne pas utiliser l'appareil avant résolution du problème.

Si, en cours d'utilisation, le véhicule s'avère dangereux de quelque façon que ce soit, signaler immédiatement le problème au responsable concerné et cesser l'utilisation de l'appareil avant résolution du problème.

Ne pas effectuer de réparations ou réglages à moins d'y être expressément autorisé.

## PROCEDURES D'ENTRETIEN ET DE REMISE EN ETAT

L'utilisation de l'appareil peut devenir dangereuse si l'entretien est négligé ou si la remise en état ou les réglages nécessaires ne sont pas effectués en conformité avec les recommandations du fabricant. Par conséquent, il est nécessaire de prévoir des ateliers de maintenance, à l'intérieur ou l'extérieur des bâtiments, avec du personnel dû-

ment formé, ainsi que d'établir des procédures détaillées.

La maintenance et l'inspection de l'appareil doivent être effectuées conformément aux procédures suivantes :

- A Les intervalles prescrits pour la maintenance, la lubrification et le contrôle du système doivent être respectés; se reporter aux instructions du fabricant.
- B Seules les personnes formées et habilitées sont autorisées à utiliser les autolaveuses motorisées. Les utilisateurs de ces appareils doivent avoir les aptitudes visuelles et auditives ainsi que les capacités physiques et mentales requises pour utiliser cet équipement en toute sécurité.

Eviter les risques d'incendie et s'assurer que les locaux sont dotés des équipements nécessaires pour la lutte contre l'incendie. Ne jamais utiliser de bacs ouverts contenant du carburant ou des produits de nettoyage inflammables pour nettoyer les composants de l'autolaveuse motorisée.

## NORMES DE SECURITE INCENDIE

Tout appareil dont le fonctionnement représente un risque doit être mis hors service.

Les réparations ne doivent pas être effectuées dans les zones de classe I, II et III.

**Prévention des incendies** : L'autolaveuse motorisée doit être tenue propre et dans la mesure du possible, protégée des peluches, des déversements d'huile et de la graisse. L'utilisation de produits non inflammables est recommandée pour le nettoyage de l'autolaveuse motorisée. Les liquides inflammables dont le point d'ignition est égal

ou supérieur à 37,8 °C (100 °F) ne sont pas autorisés. Prendre les mesures appropriées concernant la toxicité, l'aération, et les risques d'incendie selon le produit ou solvant utilisé.

### **Visibilité de la plaque signalétique :**

Les données techniques figurant sur la plaque signalétique de l'appareil ne doivent pas être recouvertes de peinture et les informations d'identification doivent rester visibles.





Lire ce manuel d'utilisation original avant la première utilisation de votre appareil, le respecter et le conserver pour une utilisation ultérieure ou pour le futur propriétaire.

## Table des matières

Consignes de sécurité . . . .	FR 5
Utilisation conforme . . . . .	FR 5
Fonction . . . . .	FR 5
Éléments de commande . .	FR 6
Mise en service . . . . .	FR 6
Utilisation . . . . .	FR 7
Mise hors service . . . . .	FR 8
Transport . . . . .	FR 9
Entreposage . . . . .	FR 9
Entretien et maintenance . .	FR 9
Service de dépannage . . . .	FR 10
Caractéristiques techniques	FR 11
Pièces de rechange . . . . .	FR 12
Garantie . . . . .	FR 12

## Protection de l'environnement



Les matériaux constitutifs de l'emballage sont recyclables. Ne pas jeter les emballages dans les ordures ménagères, mais les remettre à un système de recyclage.



Les appareils usés contiennent des matériaux précieux recyclables lesquels doivent être apportés à un système de recyclage. Pour cette raison, utilisez des systèmes de collecte adéquats afin d'éliminer les appareils usés.

### Instructions relatives aux ingrédients (REACH)

Les informations actuelles relatives aux ingrédients se trouvent sous : [www.kaercher.com/REACH](http://www.kaercher.com/REACH)

## Consignes de sécurité

Avant la première mise en service, vous devez impérativement avoir lu les consignes de sécurité N° 5.956-251.0 !

### Symboles utilisés dans le mode d'emploi

#### **DANGER**

*Pour un danger immédiat qui peut avoir pour conséquence la mort ou des blessures corporelles graves.*

#### **AVERTISSEMENT**

*Pour une situation potentiellement dangereuse qui peut avoir pour conséquence des blessures corporelles graves ou la mort.*

#### **PRÉCAUTION**

*Pour une situation potentiellement dangereuse qui peut avoir pour conséquence des blessures légères ou des dommages matériels.*

## Utilisation conforme

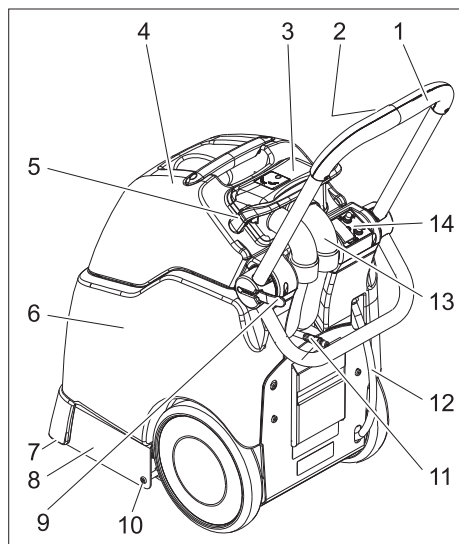
Cet appareil est destiné à une utilisation professionnelle comme appareil de lavage humide pour les moquettes dans le respect des descriptions et consignes de sécurité de ces instructions de service ainsi que de la brochure pour les appareils de nettoyage à brosse et les aspirateurs eau-pous-sières.

## Fonction

L'appareil pulvérise une solution de nettoyage depuis le réservoir d'eau propre sur le tapis à nettoyer, fait pénétrer ladite solution avec une brosse rotative et aspire salissures et solution de nettoyage consommée dans le réservoir d'eau sale.

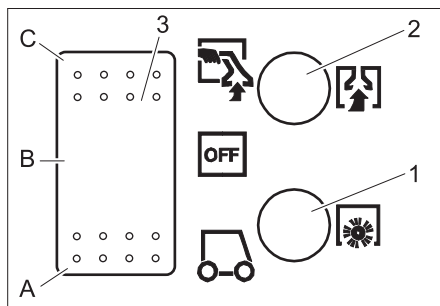
Si nécessaire, il est possible de raccorder un outil accessoire (par ex. buse manuelle).

## Éléments de commande



- 1 Guidon de poussée
- 2 Touche solution de nettoyage
- 3 Dôme
- 4 Réservoir d'eau sale
- 5 Verrouillage du dôme.
- 6 Réservoir d'eau propre
- 7 Barre d'aspiration
- 8 Tête de nettoyage
- 9 Blocage guidon de poussée
- 10 Vis tête de nettoyage
- 11 Couplage flexible de détergent
- 12 Flexible de vidange d'eau propre
- 13 Flexible d'aspiration
- 14 Zone de commande

## Zone de commande



- 1 Fusible de l'entraînement de brosse
- 2 Fusible de la turbine d'aspiration
- 3 Interrupteur principal
- A Régime normal
- B OFF - Appareil est hors circuit
- C Fonctionnement avec buse manuelle

## Mise en service

- Basculer le verrouillage du dôme vers l'avant.
- Soulever le réservoir d'eau sale et le basculer sur le côté.
- Remplir le réservoir d'eau sale à l'eau chaude (maximum 60° C) (capacité 15 litres).
- Remplir détergent.

Nettoyage de tapis	Remplir avec du RM 764 fluide
Démoussage	RM 761

Pour de plus amples informations, veuillez demander le formulaire d'information produit et la fiche technique de sécurité DIN du détergent concerné.

### ⚠ AVERTISSEMENT

*Risque sanitaire, risque d'endommagement. Toutes les instructions qui sont jointes aux détergents utilisés doivent être respectées.*

*Respecter l'environnement en utilisant le détergent avec parcimonie.*

- Remettre le réservoir d'eau sale sur l'appareil.
- Poser le dôme sur le réservoir d'eau sale et l'orienter.
- Basculer le verrouillage du dôme vers l'arrière.

## Utilisation

- Aspirer les salissures non collées avec un aspirateurs avant de procéder au nettoyage.
- Basculer le blocage de guidon de poussée vers l'extérieur, régler la hauteur désirée et refermer le blocage.
- Brancher la fiche secteur dans une prise de courant.

### ⚠ PRÉCAUTION

*Risque d'endommagement. Contrôler l'objet à nettoyer avant la mise en oeuvre de l'appareil à un endroit discret à la résistance de la couleur et la résistance à l'eau.*

### ⚠ DANGER

*Risque d'électrocution.*

*Veiller à ce que le câble secteur n'entre pas en contact avec la brosse/le pad en rotation.*

- Mettre l'interrupteur principal sur fonctionnement normal - démarrer la turbine d'aspiration et l'entraînement de brosse.
- Actionner la touche solution de nettoyage sur l'étrier de poussée pour vaporiser la solution de nettoyage.
- Parcourir la surface à nettoyer en bandes qui se chevauchent. Tirer ce faisant l'appareil vers l'arrière (ne pas pousser).

## Vidange du réservoir d'eau sale

- Si le réservoir d'eau sale est rempli aux 3/4, mettre l'interrupteur principal sur "OFF".
- Basculer le verrouillage du dôme vers l'avant.
- Soulever le réservoir d'eau sale de l'appareil et le vider.

### ⚠ AVERTISSEMENT

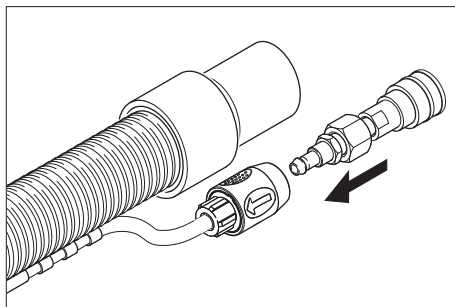
*Tenir compte des prescriptions locales pour le traitement des eaux usées.*

#### Remarque :

*Si le réservoir d'eau sale est trop rempli, l'eau sale s'écoule sur le tapis quand l'appareil est hors service.*

## Fonctionnement avec outils accessoires

Utiliser uniquement des accessoires et des pièces de rechange autorisés par le fabricant. Des accessoires et des pièces de rechange d'origine garantissent un fonctionnement sûr et parfait de l'appareil.



- Connecter l'Adaptateur joint avec le flexible de nettoyage de l'outil accessoire.
- Retirer le flexible d'aspiration du dôme.
- Enfiler le flexible d'aspiration de l'outil accessoire au lieu du flexible d'aspiration dans le dôme.

- Connecter le couplage du flexible de détergent sur l'appareil avec le flexible de détergent de l'outil accessoire.
- Mettre l'interrupteur principal sur fonctionnement avec la buse manuelle et la turbine d'aspiration démarrée.
- Actionner le levier sur l'outil accessoire pour appliquer la solution de nettoyage.

**Remarque :**

*Lors du débranchement de l'outil accessoire, l'adaptateur doit être débranché de l'appareil afin que la sortie d'eau sur l'appareil puisse être connectée.*

*Recommandation : laisser l'adaptateur sur le flexible de l'outil accessoire.*

### Conseils de nettoyage

- Vaporiser sur les endroits fortement salis au préalable et laisser agir la solution de nettoyage 5 à 10 minutes.
- Travailler toujours de la lumière vers l'ombre (de la fenêtre vers la porte).
- Toujours travailler de la surface nettoyée vers la surface à nettoyer.
- Plus le revêtement est sensible (ponts orientaux, berbère, tissu de rembourrage), plus les concentrations de détergent doivent être faibles.
- La moquette avec chanvre peut se rétracter avec le travail humide et laisser s'écouler de la teinte.
- Brosser les tapis à poils longs dans le sens du poil après le nettoyage en état humide (par ex. avec un balai-brosse ou un balai à tapis).
- Ne parcourir ou disposer des meubles sur la surface nettoyée qu'après le séchage pour empê-

cher les points d'appui ou les tâches de rouille.

- Lors du nettoyage des moquettes shampooinées au préalable, de la mousse apparaît dans le réservoir d'eau sale. Dans ce cas, ajouter de la mousse ex RM 761 dans le réservoir d'eau sale.

### Mise hors service

- Mettre l'interrupteur principal sur "OFF".
- Vidange du réservoir d'eau sale.
- Retirer le flexible d'écoulement d'eau propre du nippel du flexible et laisser s'écouler la solution de nettoyage.

### Nettoyage de l'appareil

- Remplir le réservoir d'eau propre d'env. 2 litres d'eau chaude (max. 60° C) et rincer le système de vaporisation en actionnant la touche solution de nettoyage.
- Retirer la fiche secteur de la prise de courant.
- Retirer le flexible d'écoulement d'eau propre du nippel du flexible et laisser s'écouler la solution de nettoyage.
- Nettoyer les filtres du réservoir d'eau propre et du dôme.
- Rincer le réservoir d'eau sale à l'eau propre.
- Basculer l'appareil vers l'arrière et nettoyer la tête de nettoyage et les barres d'aspiration.

### Protection antigel

En cas de risque de gel :

- Vider le réservoir d'eau propre et le réservoir d'eau sale.
- Déposer l'appareil dans une pièce à l'abri du gel.

## Transport

### ⚠ PRÉCAUTION

*Risque de blessure et d'endommagement ! Respecter le poids de l'appareil lors du transport.*

- Pousser l'appareil au niveau du guidon de poussée.
- Sécuriser l'appareil contre les glissements ou les basculements selon les directives en vigueur lors du transport dans des véhicules.

## Entreposage

### ⚠ PRÉCAUTION

*Risque de blessure et d'endommagement ! Prendre en compte le poids de l'appareil à l'entreposage.*

Cet appareil doit uniquement être entreposé en intérieur.

## Entretien et maintenance

### ⚠ DANGER

*Risque d'électrocution. Avant d'effectuer tout type de travaux sur l'appareil, le mettre hors service et débrancher la fiche électrique.*

## Fréquence de maintenance

### Quotidiennement avant l'usage

- Contrôler un éventuel endommagement du câble d'alimentation, de la rallonge et des flexibles avant chaque mise en service.
- Contrôler le cône de vaporisation de la buse.

### ⚠ PRÉCAUTION

*Risque d'endommagement. Ne jamais nettoyer la buse bouchée avec un câble ou une aiguille mais la rincer à l'eau chaude (cf. "aide au défaut")*

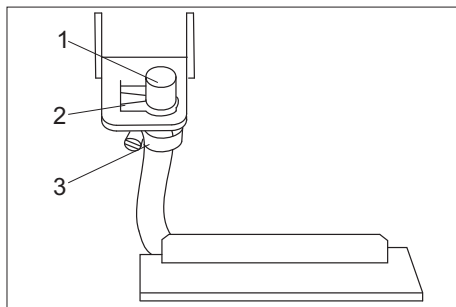
## Toutes les 25 heures de service

- Contrôler l'endommagement des flexibles et des joints. Faire remplacer les pièces défectueuses par le service après-vente.
- Contrôler le degré d'usure de la brosse et le cas échéant, la remplacer.  
Les brosses sont usées lorsque les crins ont la même longueur que les crins indicateurs jaunes.

## Travaux de maintenance

### Remplacer la buse

- Vider le réservoir d'eau propre et le réservoir d'eau sale.
- Basculer l'appareil en arrière et le poser sur le guidon de poussée.
- Dévisser les vis des têtes de nettoyage gauche et droite.
- Enlever la tête de nettoyage.



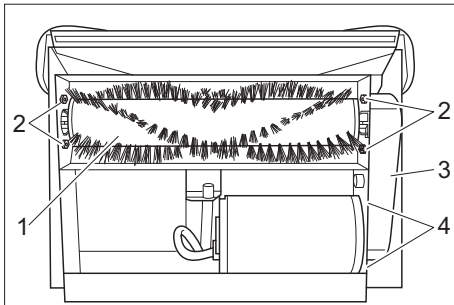
- 1 Buse
  - 2 Clip de maintien
  - 3 Collier de serrage
- Retirer le clip de maintien par le côté.
  - Tirer la buse vers l'arrière hors de la tôle de maintien.
  - Ouvrir le collier de serrage et retirer la buse du flexible.
  - Enficher la nouvelle buse dans le flexible.
  - Remonter en ordre inverse.

## Remarque :

Veiller à orienter correctement la buse lors de sa mise en place dans la tôle de maintien.

## Remplacer la brosse

- Vider le réservoir d'eau propre et le réservoir d'eau sale.
- Basculer l'appareil en arrière et le poser sur le guidon de poussée.
- Dévisser les vis des têtes de nettoyage gauche et droite.
- Enlever la tête de nettoyage.



- 1 Rouleau de brosse
  - 2 Vis suspension de la brosse
  - 3 Recouvrement courroie dentée
  - 4 Ecrans fixation du moteur
- Dévisser la vis du recouvrement de courroie dentée et retirer le recouvrement.
  - Desserrer l'écrou de la fixation du moteur et pousser le moteur vers la brosse.
  - Retirer la courroie dentée.
  - Desserrer la tige filetée de la poulie de courroie dentée sur la brosse et retirer la poulie de courroie dentée.
  - Dévisser les vis du palier de brosse et extraire le palier de l'arbre de la brosse.
  - Soulever l'extrémité de l'entraînement de la brosse rotative et sortir le côté opposé du palier.
  - Monter la nouvelle brosse dans l'ordre inverse.

## Service de dépannage

### ⚠ DANGER

Risque d'électrocution.

Avant d'effectuer tout type de travaux sur l'appareil, le mettre hors service et débrancher la fiche électrique.

Seul le service après-vente autorisé est habilité à contrôler et réparer les composants électriques.

S'il se produit des défauts qui ne sont pas répertoriés dans ce chapitre, en cas de doute ou si cela est explicitement indiqué, s'adresser à un service après-vente autorisé.

### L'appareil ne fonctionne pas

- Brancher la fiche secteur.
- Contrôler le fusible du bâtiment.

### La turbine d'aspiration ne fonctionne pas

- Réinitialiser le fusible de turbine d'aspiration sur le pupitre de commande.

### Puissance d'aspiration insuffisante

- Nettoyer la barre d'aspiration.
- Contrôler le joint sur le dôme, le nettoyer ou le remplacer.
- Vider le réservoir d'eau sale.
- Enficher correctement le flexible d'aspiration sur le dôme.
- Contrôler l'endommagement du flexible d'aspiration.

### Il ne sort pas d'eau à la buse

- Régler l'interrupteur principal sur fonctionnement normal.
- Remplir le réservoir d'eau sale à l'eau chaude (maximum 60° C) et rincer la buse. Remplacer si nécessaire la buse (voir "travaux d'entretien/remplacer la buse").

- Remplir le réservoir d'eau propre.
- Nettoyer le filtre dans le réservoir d'eau propre.

### La brosse ne tourne pas

- Régler l'interrupteur principal sur fonctionnement normal.
- Réinitialiser le fusible d'entraînement de brosses sur le pupitre de commande.
- Contrôler la courroie d'entraînement, en cas de besoin la remplacer.

### Le tapis est trop mouillé

- Remplacer la buse utilisée par une nouvelle (voir "travaux d'entretien/ remplacer la buse").

## Caractéristiques techniques

Performances		
Tension nominale	V/A/ Hz	115/ 15/~60
Type de protection		IPX4
Puissance absorbée moyenne	W	1245
Puissance du moteur d'aspiration	W	1119
Puissance de moteur de brosses	W	145
Brosses de nettoyage		
Largeur de travail	in (mm)	10.2 (260)
Diamètre des brosses	in (mm)	2.6 (65)
Vitesse des brosses	t/min	1160
Pression pompe de nettoyage	PSI (MPa)	26.1 (0.18)

Débit pompe à détergent	GPM (l/min)	0.4 (1.5)
Température d'eau max.	°F	60
Aspiration		
Puissance d'aspiration, débit d'air	gpm (l/s)	12.5 (47.2)
Puissance d'aspiration, dépression	psi (kPa)	4.3 (29.9)
Dimensions et poids		
Surface théorique-ment nettoyable	ft <sup>2</sup> /h (m <sup>2</sup> /h)	1076 (100)
Volume du réservoir d'eau propre/ réservoir d'eau sale	gal (l)	4/4.5 (15/17)
Longueur	in (mm)	36.2 (920)
Largeur	in (mm)	14.2 (360)
Hauteur	in (mm)	29,5 (750)
Poids (sans contenu du réservoir)	lbs (kg)	79.4 (36)
Emissions sonores		
Niveau de pression acoustique (EN 60704-1)	dB(A)	77
Vibrations de l'appareil		
Valeur globale de vibrations (ISO 5349)	m/s <sup>2</sup>	1,7

## **Pièces de rechange**

- Utiliser uniquement des accessoires et des pièces de rechange autorisés par le fabricant. Des accessoires et des pièces de rechange d'origine garantissent un fonctionnement sûr et parfait de l'appareil.
- Une sélection des pièces de rechange utilisées le plus se trouve à la fin du mode d'emploi.
- Vous trouverez plus d'informations sur les pièces de rechange dans le menu Service du site [www.kaercher.com](http://www.kaercher.com).

## **Garantie**

Dans chaque pays, les conditions de garantie en vigueur sont celles publiées par notre société de distribution responsable. Les éventuelles pannes sur l'appareil sont réparées gratuitement dans le délai de validité de la garantie, dans la mesure où celles-ci relèvent d'un défaut matériel ou d'un vice de fabrication. En cas de recours en garantie, adressez-vous à votre revendeur ou au service après-vente agréé le plus proche munis de votre preuve d'achat.



## INSTRUCCIONES IMPORTANTES DE SEGURIDAD

### READ ALL INSTRUCTIONS BEFORE USING THIS APPLIANCE

#### ⚠ **ADVERTENCIA**

Para evitar el peligro de incendio, descarga eléctrica o heridas:

- NO ABANDONAR la unidad mientras esté enchufada. Desenchufar cuando no esté en uso y antes de revisar.

#### ⚠ **ADVERTENCIA**

- PARA REDUCIR EL RIESGO DE DESCARGA ELÉCTRICA, USAR SOLO EN INTERIORES
- No permita que se use como juguete. Prestar mucha atención cuando sea usado por y cerca de niños.
- Usar exclusivamente como se describe en este manual. Usar solamente con los complementos recomendados por el fabricante.
- No usar con el cable o la clavija dañados. Si el aparato no funciona como debería, se ha caído al suelo, dañado, dejado al aire libre, o caído al agua, devuélvalo a servicio de atención al cliente.
- No tirar del cable ni transportar el aparato cogido por el cable, no cerrar una puerta sobre el cable, ni pasar el cable por bordes o esquinas afiladas. No pasar el aparato por el cable. Mantener el cable alejado de superficies calientes.
- No tirar del cable para desenchufar el aparato. Para desenchufar, tire de la clavija no del cable.
- No manipular la clavija ni el aparato con las manos mojadas.

- No introducir objetos en los orificios. No usar con cualquiera de los orificios bloqueados; mantener sin polvo, pelusa, pelo y cualquier otra cosa que pueda reducir el flujo de aire.
- Mantener el cabello, la ropa floja, los dedos y todas las partes del cuerpo alejadas de los orificios y partes móviles.
- Apagar los mandos de control antes de desenchufar.
- Usar con especial cuidado cuando limpie escaleras.
- No usar para recoger líquidos inflamables o combustible, como gasolina, ni utilizar el aparato en áreas donde puedan estar presentes.
- Conectar exclusivamente a una toma con puesta a tierra. Consultar las instrucciones de puesta a tierra.
- Desenchufar siempre el cable del enchufe antes de realizar el mantenimiento del aparato.
- ¡No barra nunca líquidos explosivos, gases inflamables ni ácidos o disolventes sin diluir! Entre éstos se encuentran la gasolina, los diluyentes o el fuel, que pueden mezclarse con el aire dando lugar a combinaciones o vapores explosivos. No utilice tampoco acetona, ácidos ni disolventes sin diluir, ya que ellos atacan los materiales utilizados en el aparato.
- No aspire objetos incandescentes, con o sin llama.

#### **Instrucciones de puesta a tierra**

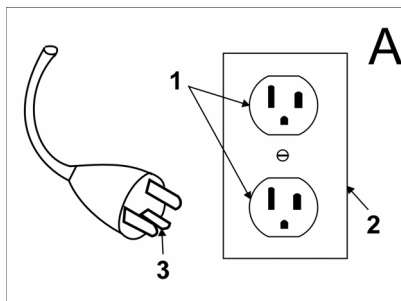
Este producto se tiene que poner a tierra. Si funcionase mal o si se rompiese, la puesta a tierra proporcionaría un circuito menos resistente a la energía eléctrica para reducir el riesgo de electrochoque. Este producto está

equipado con un cable que tiene un conductor a tierra y un enchufe a tierra para el equipo. El enchufe se tiene que enchufar a un tomacorriente adecuado, que esté correctamente instalado y puesto a tierra conforme a todas las normas y reglamentos locales.

### **⚠ PELIGRO**

*Si la conexión del conductor a tierra del equipo es incorrecta puede existir riesgo de electrochoque. En caso de duda, compruebe con ayuda de un electricista cualificado o del personal del servicio técnico que el tomacorriente está correctamente puesto a tierra. No modifique el enchufe proporcionado con el producto; si no encaja en el tomacorriente, pida a un electricista cualificado que le instale un tomacorriente adecuado. No utilice ningún tipo de adaptador con este producto. Este dispositivo está diseñado para usar en un circuito nominal de 120 V y tiene un enchufe de toma a tierra que tiene el aspecto de la figura A. Asegúrese de que el dispositivo esté conectado a una toma de corriente que tenga la misma configuración que la clavija. No se debe usar un adaptador con este equipo.*

## **CONECTAR EXCLUSIVAMENTE A UNA TOMA DE CORRIENTE CON PUESTA A TIERRA**



- 1 Toma de corriente con puesta a tierra
- 2 Caja de toma de corriente con puesta a tierra
- 3 Clavija con puesta a tierra

## **NORMAS Y PRÁCTICAS DE SEGURIDAD PARA EL FUNCIONAMIENTO**

### **Responsabilidades del propietario/usuario**

El propietario y/o el usuario deben comprender bien las instrucciones de servicio y advertencias del fabricante antes de empezar a utilizar este limpiador de alta presión.

Debe prestarse especial atención y tener muy claras las advertencias.

Si el operador no habla bien el español, el propietario/comprador debe responsabilizarse de leer y comentar las instrucciones y las advertencias en su lengua natal, y asegurarse de que entienda a la perfección su contenido.

El propietario y/o el usuario deben leer y guardar como referencia para el futuro las instrucciones del fabricante.

## Generalidades

Antes de poner en funcionamiento la unidad, ésta deberá encontrarse en la posición de servicio.

No arrancar ni poner en funcionamiento la unidad, cualquiera de sus funciones o complementos, en otro sitio que no sea la posición designada de operario.

Antes de dejar la posición del operario:

- A parar completamente el equipo;
- B si el equipo tiene que estar en una inclinación, bloquear las ruedas.

Mantenerse a una distancia segura del borde de rampas, plataformas y otras superficies de trabajo.

No realice modificaciones ni añadidos al equipo.

No bloquear el acceso a las salidas de emergencias de incendios, escaleras o equipo antiincendios.

## Conducción

Ceder el paso a peatones y vehículos de emergencias como ambulancias o camiones de bomberos.

Cruce vías de tren en ángulo siempre que sea posible. No aparcar a menos de 1800 mm de la vía del tren.

Mantener una buena vista del camino por el que conduce y preste atención al tráfico, personal y seguridad.

Operar el equipo siempre a una velocidad que permita parar de manera segura.

No permita realizar escenas peligrosas ni jugar con el equipo.

Reducir la velocidad en suelos húmedos y resbaladizos.

Antes de conducir sobre un muelle o puente, asegúrese de que esté bien seguro. Conducta con cuidado y lentamente por el muelle o puente, y no exceda nunca la capacidad indicada.

Al sortear curvas, reduzca la velocidad a un nivel seguro de acuerdo con el ambiente de funcionamiento. Sortear las curvas con cuidado.

## Cuidados del equipo realizados por el operario

Si el equipo necesita ser reparado o es inseguro, o favorece una situación insegura, se deberá informar del problema inmediatamente al encargado designado por el usuario, y no se pondrá en funcionamiento el equipo hasta que se recupere el estado de funcionamiento seguro.

Si el equipo se vuelve inseguro de cualquier modo durante su funcionamiento, se deberá informar del problema inmediatamente al encargado designado por el usuario, y no se pondrá en funcionamiento el equipo hasta que se recupere el estado de funcionamiento seguro.

No realizar reparaciones o ajustes a no ser que se autorizado específicamente.

## MANTENIMIENTO Y PRÁCTICAS DE RECONSTRUCCIÓN

El funcionamiento del equipo puede resultar peligros si no realiza el mantenimiento o se llevan a cabo reparaciones, reconstrucciones o ajustes que no correspondan con los criterios de diseño del fabricante. Por lo tanto, se deben poner a disposición lugares de mantenimiento (en el mismo local o en otro lugar), personal cualificado, y procedimientos detallados.

El mantenimiento e inspección de la unidad se realizará de acuerdo con las siguientes prácticas:

- A a un mantenimiento planificado, le seguirán lubricación e inspección

del sistema: consulte las recomendaciones del fabricante.

- B Sólo se permitirá operar un aparato para limpieza de suelos motorizado a personas formadas y autorizadas. Los operarios de aparatos de limpieza de suelos motorizados deberán estar cualificados y tener la capacidad visual, auditiva, física y mental para operar equipos de forma segura.

Evitar los riesgos de incendios y tener equipo de protección de incendios en el área de trabajo. No usar recipientes abiertos de fuel o líquidos inflamables de limpieza para las limpiar las piezas.


## NORMA DE SEGURIDAD CONTRA INCENDIOS

Cualquier unidad que no esté en un estado de funcionamiento seguro será retirada de servicio.

No se realizarán reparaciones en ubicaciones de clase I, clase II y clase III.

**Prevención de incendios.** Se mantendrá el equipo limpio y sin pelusas, exceso de aceite y grasa en la medida de lo posible. Es preferible utilizar productos no combustibles para limpiar el equipo. No está permitido utilizar líquidos inflamables [aquellos que tengan puntos de inflamación de o superior a 37,8°C (100°F)]. Se deberá tomar precauciones ante la toxicidad, ventilación e incendios con el producto o disolvente usado.

**Visibilidad de la placa identificadora.** Las denominaciones de tipo de equipo se indican en la placa identificadora y no se deben cubrir las marcas de tipo con pintura para que no se vea la información de identificación.

 Antes del primer uso de su aparato, lea este manual original, actúe de acuerdo a sus indicaciones y guárdelo para un uso posterior o para otro propietario posterior.

## Índice de contenidos

Indicaciones de seguridad . . . . .	ES 5
Uso previsto . . . . .	ES 5
Función . . . . .	ES 5
Elementos de mando . . . . .	ES 5
Puesta en marcha. . . . .	ES 6
Manejo . . . . .	ES 6
Puesta fuera de servicio . . . . .	ES 8
Transporte. . . . .	ES 8
Almacenamiento . . . . .	ES 8
Cuidados y mantenimiento . . . . .	ES 8
Subsanación de averías . . . . .	ES 10
Datos técnicos . . . . .	ES 11
Piezas de repuesto . . . . .	ES 11
Garantía . . . . .	ES 11

## Protección del medio ambiente



Los materiales de embalaje son reciclables. Por favor, no tire el embalaje a la basura doméstica; en vez de ello, entréguelo en los puntos oficiales de recogida para su reciclaje o recuperación.



Los aparatos viejos contienen materiales valiosos reciclables que deberían ser entregados para su aprovechamiento posterior. Por este motivo, entregue los aparatos usados en los puntos de recogida previstos para su reciclaje.

### Indicaciones sobre ingredientes (REACH)

Encontrará información actual sobre los ingredientes en:

[www.kaercher.com/REACH](http://www.kaercher.com/REACH)

## Indicaciones de seguridad

¡Antes de la primera puesta en marcha lea sin falta las instrucciones de seguridad nº 5.956-251.0!

### Símbolos del manual de instrucciones

#### **⚠ PELIGRO**

*Para un peligro inminente que acarrea lesiones de gravedad o la muerte.*

#### **⚠ ADVERTENCIA**

*Para una situación que puede ser peligrosa, que puede acarrear lesiones de gravedad o la muerte.*

#### **⚠ PRECAUCIÓN**

*Para una situación que puede ser peligrosa, que puede acarrear lesiones leves o daños materiales.*

## Uso previsto

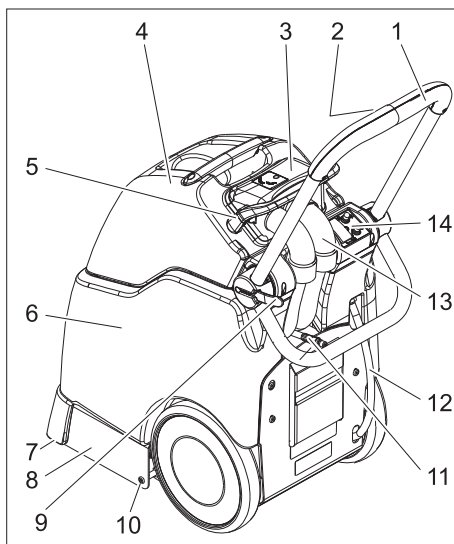
Este aparato está diseñado para el uso comercial como dispositivo de limpieza en húmedo para moquetas, de acuerdo con este manual de instrucciones así como el folleto adjunto sobre indicaciones de seguridad para dispositivos de limpieza con cepillos y dispositivos pulverizadores.

## Función

El aparato pulveriza una solución de detergente desde el depósito de agua limpia sobre la alfombra que se debe limpiar, trata la solución de limpieza con un cepillo rotativo y absorbe la suciedad y la solución usada al depósito de agua sucia.

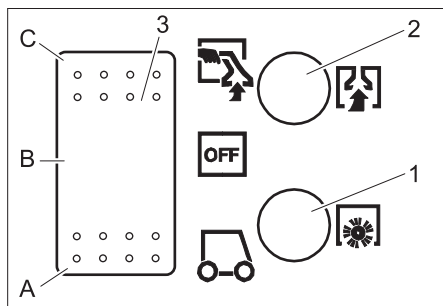
En caso de necesidad, se puede conectar un accesorio (por ejemplo una boquilla manual).

## Elementos de mando



- 1 Estribo de empuje
- 2 Botón solución de detergente
- 3 Madril
- 4 depósito de agua sucia
- 5 Seguro del cúpula.
- 6 Depósito de agua limpia
- 7 barra de aspiración
- 8 Cabezal limpiador
- 9 Dispositivo de bloqueo estribo de empuje
- 10 Tornillo cabezal de limpieza
- 11 Acoplamiento manguera de detergente
- 12 Manguera de salida de agua limpia
- 13 Manguera de aspiración
- 14 Panel de control

## Panel de control



- 1 Fusible accionamiento de los cepillos
- 2 Fusible turbina de aspiración
- 3 Interruptor del aparato
- A Funcionamiento normal
- B OFF – El aparato está apagado.
- C Funcionamiento con boquilla manual

## Puesta en marcha

- Desplazar el bloqueo del mandril hacia delante.
- Levantar el depósito de agua sucia y girar hacia un lado.
- Llenar el depósito de agua limpia con agua caliente (máximo 60°C) (volumen 15 l).
- Adición de detergente.

Limpieza de moquetas	RM 764 líquido
Quitar la espuma	RM 761

Para obtener más información, solicitar la hoja de información del producto y la hoja de datos de seguridad según DIN del detergente correspondiente.

### ⚠ **ADVERTENCIA**

*Peligro para la salud, peligro de daños. Se deben respetar todas las indicaciones que incluyen los detergentes.*

*Utilice los detergentes con moderación para no perjudicar el medio ambiente.*

- Colocar de nuevo el depósito de agua sucia sobre el aparato.
- Colocar y nivelar el mandril sobre el depósito de agua sucia.
- Desplazar el bloqueo del mandril hacia atrás.

## Manejo

- Antes de la limpieza aspirar la suciedad suelta con una aspiradora.
- Oscilar hacia afuera el dispositivo de bloqueo del estribo de empuje, ajustar la altura del estribo de empuje deseada y volver a cerrar el dispositivo de bloqueo.
- Enchufar la clavija de red a una toma de corriente.

### ⚠ **PRECAUCIÓN**

*Peligro de daños en la instalación. Controlar el objeto a limpiar antes de utilizar el aparato para ver si el color resiste y si es resistente al agua.*

### ⚠ **PELIGRO**

*Peligro por descarga eléctrica.*

*No dejar entrar en contacto el cable con los cepillos/pad rotativos.*

- Colocar el interruptor del aparato en funcionamiento normal, arrancar la turbina de absorción y el accionamiento de los cepillos.
- Para pulverizar solución de detergente, activar la tecla de detergente del estribo de empuje.
- Pasar por la zona a limpiar en tramos que se solapan. Al hacerlo no tire del aparato hacia atrás (no deslizar).

## Vaciado del depósito de agua sucia

- Si el depósito de agua sucia está más lleno que 3/4, poner el interruptor en "OFF".
- Desplazar el bloqueo del mandril hacia delante.
- Levantar el depósito de agua sucia del aparato y vaciarlo.

### ⚠ **ADVERTENCIA**

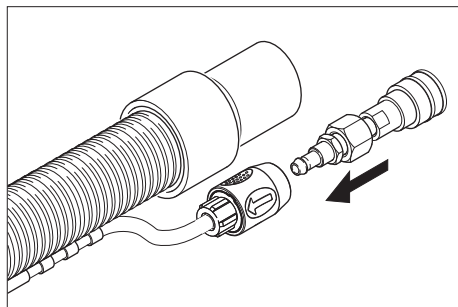
*Respetar la normativa local vigente en materia de tratamiento de aguas residuales.*

### **Indicación:**

*Si el depósito de agua sucia está demasiado lleno, el agua sucia vuelve a la moqueta cuando se apaga el aparato.*

## Funcionamiento con herramientas accesorios

Sólo deben emplearse accesorios y piezas de repuesto originales o autorizados por el fabricante. Los accesorios y piezas de repuesto originales garantizan el funcionamiento seguro y sin averías del aparato.



- Conecte el adaptador suministrado con la manguera de detergente de las herramientas accesorios.
- Extraer la manguera de aspiración del mandril.

- Insertar la manguera de aspiración del accesorio en lugar de la manguera de aspiración en el mandril.
- Unir el acoplamiento de la manguera de detergente en el aparato con la manguera de detergente del accesorio.
- Ajustar el interruptor para el funcionamiento con boquilla manual, la turbina de absorción comenzará a funcionar.
- Para aplicar la solución de detergente, activar la palanca del accesorio.

### **Indicación:**

*Al desinsertar las herramientas accesorios debe retirarse el adaptador del aparato, para que la salida del agua se conecte al aparato.*

*Recomendación: Dejar el adaptador en la manguera de las herramientas accesorios.*

## Consejos de limpieza

- Pulverizar primero las zonas que estén muy sucias y dejar actuar la solución de detergente de 5 a 10 minutos.
- Trabajar siempre desde la luz a la sombra (desde la ventana a la puerta).
- Trabajar siempre de la zona limpia a la sucia.
- Cuanto más delicado sea el pavimento (puentes orientales, berebere, tapicería), menor debe ser la concentración de detergente.
- Las moquetas con yute pueden encoger al trabajar en húmedo y decolorar.
- Las alfombras de pelo alto se deben cepillar en la dirección del pelo en estado húmedo (p.ej. con una escoba para pelo o un frotador).

- Pasar por encima de la superficie que ha sido limpiada o poner muebles encima cuando esté seca para evitar puntos de presión o manchas de óxido.
- Al limpiar moquetas que hayan sido tratadas con champú previamente, se forma espuma en el depósito de agua sucia. En este caso, introducir la espuma ex RM 761 en el depósito de agua sucia.

## Puesta fuera de servicio

- Colocar el interruptor principal en la posición "OFF".
- Vaciado del depósito de agua sucia.
- Extraer la manguera de salida de agua limpia del racor y purgar el detergente.

## Limpieza del aparato

- Llenar el depósito de agua limpia con aprox. 2 litros de agua caliente (máx. 60°C) y lavar el sistema pulverizador, para ello pulsar la tecla de detergente.
- Saque el enchufe de la toma de corriente.
- Extraer la manguera de salida de agua limpia del racor y purgar el detergente.
- Limpiar los filtros del depósito de agua limpia y del mandril.
- Aclare el depósito de agua sucia con agua limpia.
- Inclinar hacia atrás el aparato y limpiar el cabezal de limpieza y la barra de aspiración.

## protección antiheladas

En caso de peligro de heladas:

- Vacíe el depósito de agua limpia y el depósito de agua sucia.
- Guarde el aparato en un lugar protegido de las heladas.

## Transporte

### ⚠ PRECAUCIÓN

*¡Peligro de lesiones y daños! Respetar el peso del aparato para el transporte.*

- Desplazar el aparato con el estribo de empuje.
- Al transportar en vehículos, asegurar el aparato para evitar que resbale y vuelque conforme a las directrices vigentes.

## Almacenamiento

### ⚠ PRECAUCIÓN

*¡Peligro de lesiones y daños! Respetar el peso del aparato en el almacenamiento.*

Este aparato sólo se puede almacenar en interiores.

## Cuidados y mantenimiento

### ⚠ PELIGRO

*Peligro de lesiones por descarga eléctrica.*

*Antes de efectuar cualquier trabajo en el aparato, hay que desconectar de la red eléctrica.*

## Intervalos de mantenimiento

### Diariamente antes del uso

- Comprobar si tienen daños el cable de alimentación, cable alargador y mangueras antes de cada puesta en marcha.
- Controlar el rociado de la boquilla.

### ⚠ PRECAUCIÓN

*Peligro de daños en la instalación. No limpiar nunca la boquilla atascada con un alambre ni con una guja, enjuagarla con agua caliente (véase "Subsana-ción de averías")*

### Cada 25 horas de servicio

- Comprobar si las mangueras y juntas están dañadas. Solicitar al ser-



vicio técnico que cambie las piezas defectuosas.

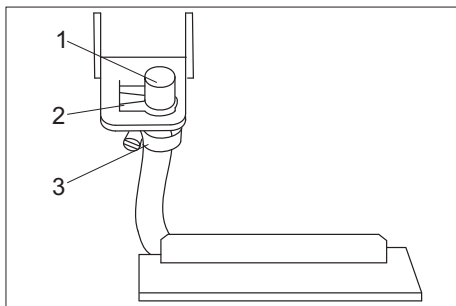
- Compruebe si los cepillos presentan desgaste y, en caso necesario, cámbielos.

Las escobillas están desgastadas cuando las cerdas tienen la misma longitud que las cerdas indicativas amarillas.

## Trabajos de mantenimiento

### Cambiar las boquillas

- Vacíe el depósito de agua limpia y el depósito de agua sucia.
- Inclinar hacia atrás el aparato y colocar sobre el estribo de empuje.
- Desenroscar los tornillos a la derecha e izquierda del cabezal de limpieza.
- Extraer el cabezal limpiador.



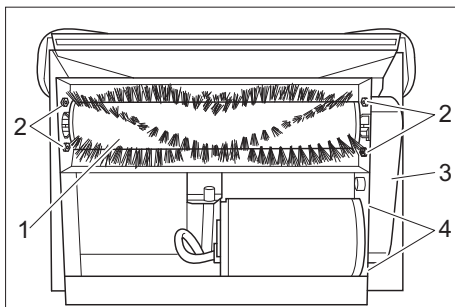
- 1 boquilla
  - 2 Clip de sujeción
  - 3 Abrazadera de manguera
- Extraer el clip de sujeción lateral.
  - Extraer hacia atrás la boquilla de la chapa de sujeción.
  - Abrir la brida de la manguera y extraer la boquilla de la manguera.
  - Insertar la nueva boquilla en la manguera.
  - Montar de nuevo en orden inverso.

### Indicación:

*Al insertar la boquilla en la chapa de sujeción, respetar la orientación de la boquilla correcta.*

### Recambio del cepillo

- Vacíe el depósito de agua limpia y el depósito de agua sucia.
- Inclinar hacia atrás el aparato y colocar sobre el estribo de empuje.
- Desenroscar los tornillos a la derecha e izquierda del cabezal de limpieza.
- Extraer el cabezal limpiador.



- 1 cepillo rotativo
- 2 Tornillos del cojinete de los cepillos
- 3 Cubierta de la correa dentada
- 4 Tuercas de la fijación del motor

- Desatornille el tornillo de la cubierta de la correa dentada y extraerla.
- Soltar las tuercas de la fijación del motor y desplazar el motor hacia los cepillos.
- Extraer la correa dentada.
- Soltar el pin de rosca de la arandela de la correa dentada del cepillo y extraerla.
- Extraer los tornillos del cojinete de los cepillos y extraer el cojinete del eje del cepillo.
- Levantar el extremo de propulsión del cepillo rotativo de la carcasa y tirar del cojinete del lado contrario.
- Montar un nuevo cepillo siguiendo los mismos pasos en el orden inverso.

## Subsanación de averías

### **⚠ PELIGRO**

*Peligro de lesiones por descarga eléctrica.*

*Antes de efectuar cualquier trabajo en el aparato, hay que desconectar de la red eléctrica.*

*En caso de avería, la reparación de las piezas eléctricas sólo debe efectuarla el servicio técnico autorizado.*

*En caso de averías que no se mencionen en este capítulo, consulte al servicio técnico oficial en caso de duda y si se indica explícitamente.*

### **El aparato no funciona**

- Enchufe la clavija de red.
- Comprobar los fusibles del edificio.

### **La turbina de aspiración no funciona**

- Restablecer los fusibles de la turbina de aspiración en el panel de control.

### **Potencia de aspiración insuficiente**

- Limpiar la barra de aspiración.
- Comprobar la junta del mandril, limpiarla o cambiarla si fuera necesario.
- Vacíe el depósito de agua sucia.
- Insertar correctamente la manguera de aspiración en el mandril.
- Comprobar si la manguera de absorción presenta daños.

### **No sale agua de la boquilla**

- Colocar el interruptor principal en servicio normal.
- Llenar el depósito de agua limpia con agua caliente (máximo 60°C) y enjuagar la boquilla. Cambiar la boquilla si es necesario (véase apar-

tado "Trabajos de mantenimiento/cambiar boquilla").

- Llenar el depósito de agua limpia.
- Limpie el tamiz del depósito de agua limpia.

### **Los cepillos no giran**

- Colocar el interruptor principal en servicio normal.
- Restablecer los fusibles en el accionamiento de cepillo en el panel de control.
- Examine la correa de accionamiento y cámbiela si es necesario.

### **La moqueta se moja demasiado**

- Cambiar la boquilla si es necesario (véase apartado "Trabajos de mantenimiento/cambiar boquilla").

## Datos técnicos

<b>Potencia</b>		
Tensión nominal	V/A/ Hz	115/ 15/~60
Categoría de protección		IPX4
Consumo medio de potencia	W	1245
Potencia del motor de aspiración	W	1119
Potencia del motor de barrido	W	145
<b>Cepillos de limpieza</b>		
Anchura de trabajo	in (mm)	10.2 (260)
Diámetro cepillos	in (mm)	2.6 (65)
Nº de rotaciones de los cepillos	1/min	1160
Presión de la bomba de detergente	PSI (MPa)	26.1 (0.18)
Caudal de la bomba de detergente	GPM (l/min)	0.4 (1.5)
máx. temperatura del agua	°F	60
<b>Aspirar</b>		
Potencia de aspiración, caudal de aire	gpm (l/s)	12.5 (47.2)
Potencia de aspiración, depresión	psi (kPa)	4.3 (29.9)
<b>Medidas y pesos</b>		
Potencia teórica por metro cuadrado	ft <sup>2</sup> /h (m <sup>2</sup> /h)	1076 (100)
Volumen de los depósitos de agua limpia y agua sucia	gal (l)	4/4.5 (15/17)
Longitud	in (mm)	36.2 (920)

Anchura	in (mm)	14.2 (360)
Altura	in (mm)	29,5 (750)
Peso (con el depósito vacío)	lbs (kg)	79.4 (36)
<b>Emisión sonora</b>		
Nivel de presión acústica (EN 60704-1)	dB(A)	77
<b>Vibraciones del aparato</b>		
Valor total de la vibración (ISO 5349)	m/s <sup>2</sup>	1,7

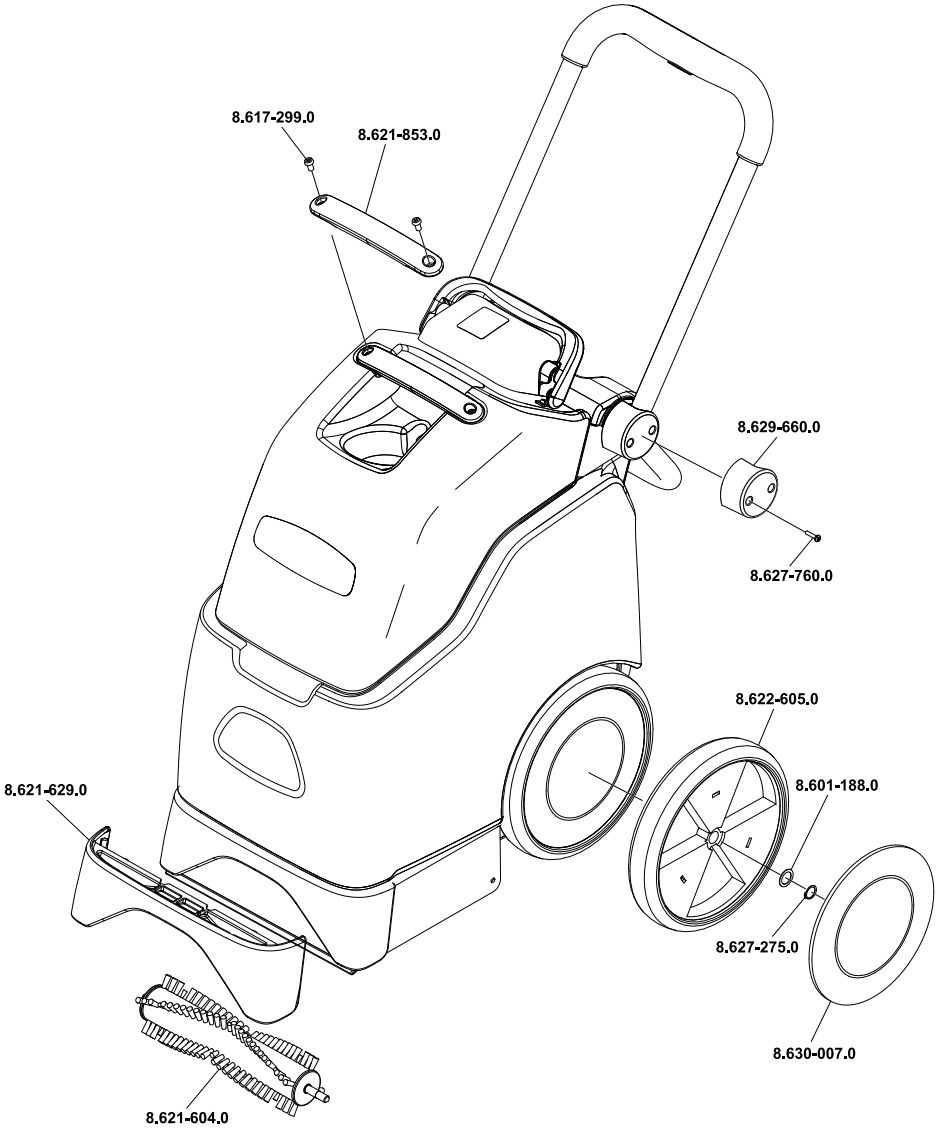
## Piezas de repuesto

- Sólo deben emplearse accesorios y piezas de repuesto originales o autorizados por el fabricante. Los accesorios y piezas de repuesto originales garantizan el funcionamiento seguro y sin averías del aparato.
- Podrá encontrar una selección de las piezas de repuesto usadas con más frecuencia al final de las instrucciones de uso.
- En el área de servicios de [www.kaercher.com](http://www.kaercher.com) encontrará más información sobre piezas de repuesto.

## Garantía

En todos los países rigen las condiciones de garantía establecidas por nuestra empresa distribuidora. Las averías del aparato serán subsanadas gratuitamente dentro del periodo de garantía, siempre que se deban a defectos de material o de fabricación. En un caso de garantía, le rogamos que se dirija con el comprobante de compra al distribuidor donde adquirió el aparato o al servicio al cliente autorizado más próximo a su domicilio.

# BRC 30/15 C











<http://www.kaercher.com/dealersearch>

